



Svedholm

SLITS

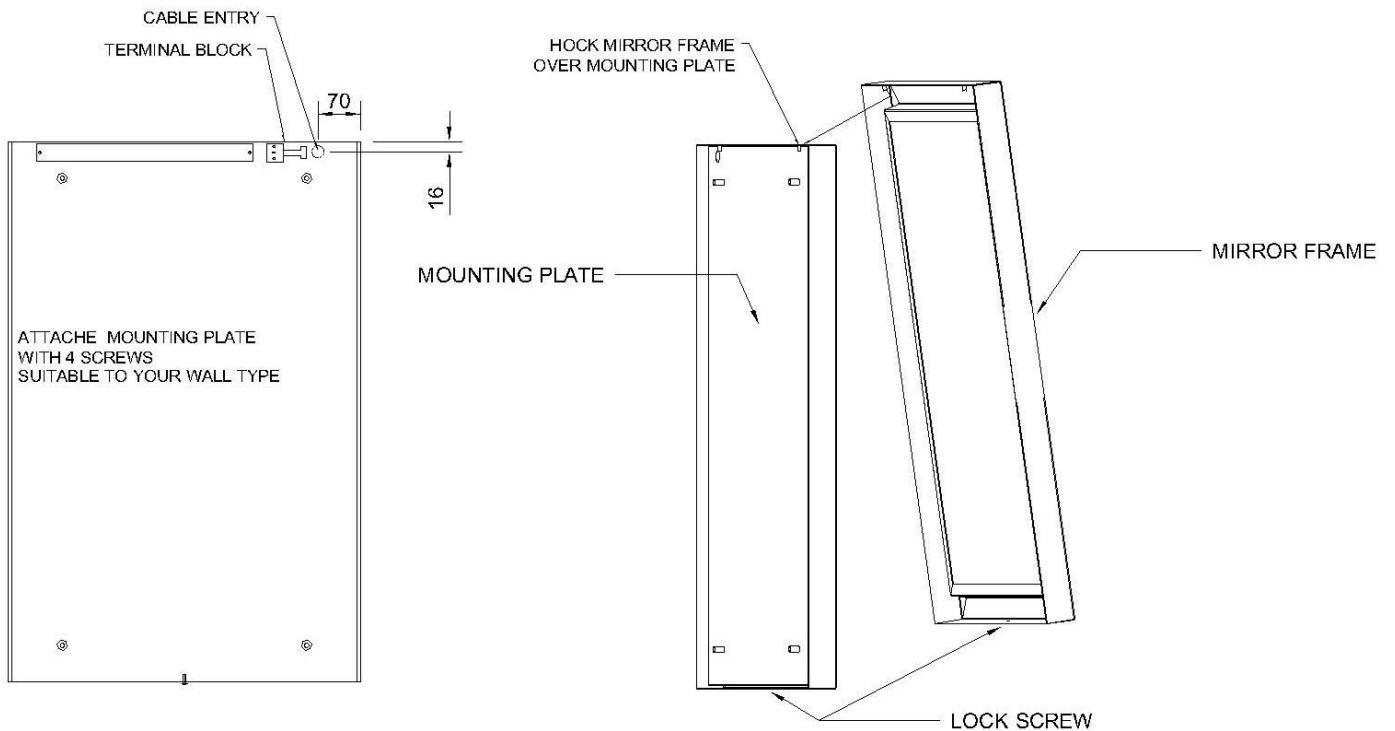
Art nr. 111.100.003

MOUNTING & MAINTENANCE INSTRUCTIONS



Product assessed in
SundaHus Material Data

MOUNTING INSTRUCTIONS



MAINTENANCE INSTRUCTIONS

Manufacturer

Svedholm Design AB
TEL +46(0) 10 190 20 80

INFO@SVEDHOLM.SE

WWW.SVEDHOLM.SE

Material

Mirror with a powder coated steel frame, with an integrated LED lamp. The side light provides a very comfortable shadow-free light. Complies with IP-class 44.

Maintenance

Powder coated steel: should be cleaned with a cloth, moistened with water or mild detergent. Corrosive detergents may not be used.

Mirror: should be cleaned with a cloth, moistened with water or alcohol. Corrosive detergents may not be used. Detergents and moist remains shall be removed.

Responsibility

Svedholm Design AB is not responsible for damage caused by improper assembly or installation, lack of maintenance, malfunction, neglect/abnormal use or anything else that may be attributed to the user.

Svedholm Design AB, Uppsala