



*Svedholm*

## MILLIMETER

Art nr. 412.200.002

Art nr. 412.200.003

## MOUNTING & MAINTENANCE INSTRUCTIONS

COVERED BY OUR RETURN DEPOSIT SCHEME



## MAINTENANCE INSTRUCTIONS

### Manufacturer

Svedholm Design AB  
TEL +46(0) 10 190 20 80

[INFO@SVEDHOLM.SE](mailto:INFO@SVEDHOLM.SE)

[WWW.SVEDHOLM.SE](http://WWW.SVEDHOLM.SE)

### Material

Module-based shelf system with chrome plated wire frame and shelf in veneered oak alternately lacquered MDF.

### Maintenance

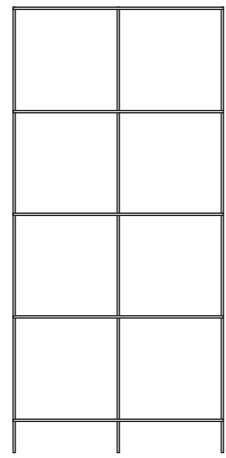
**Chrome plated wire:** should be cleaned with a cloth, moistened with water or mild detergent. Corrosive detergents may not be used. Detergents and moist remains shall be removed.

**Veneered oak/MDF:** should be cleaned with a cloth, moistened with water. Corrosive detergents may not be used. Detergents and moist remains shall be removed.

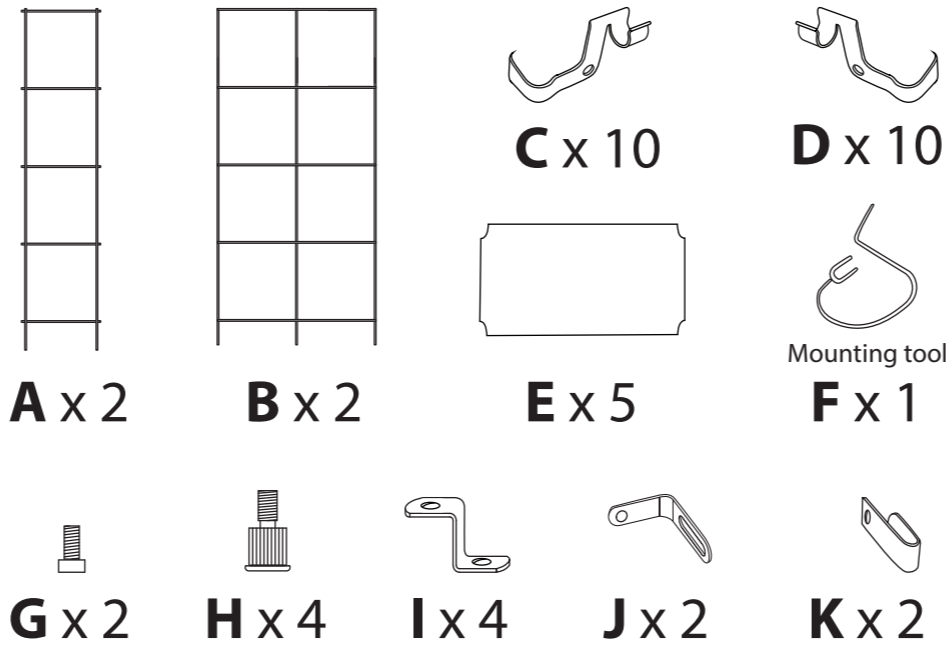
### Responsibility

Svedholm Design AB is not responsible for damage caused by improper assembly or installation, lack of maintenance, malfunction, neglect/abnormal use or anything else that may be attributed to the user.

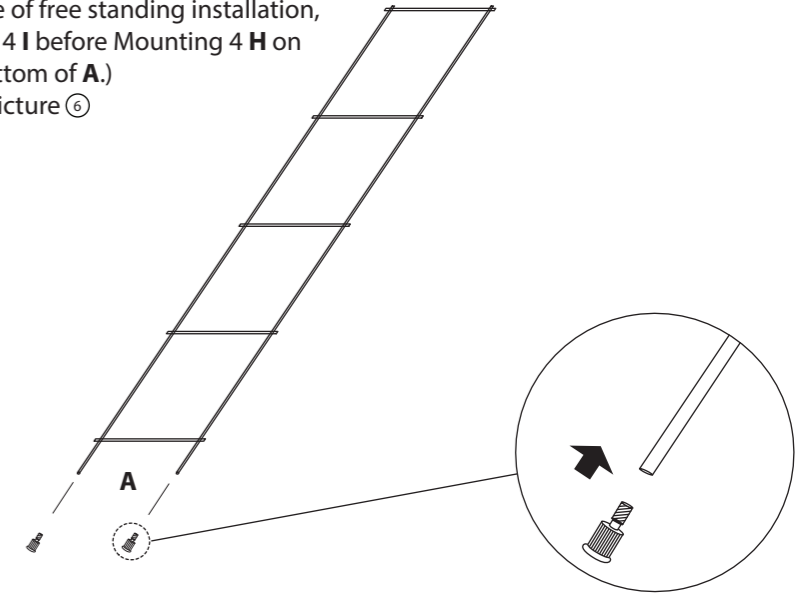
Svedholm Design AB, Uppsala



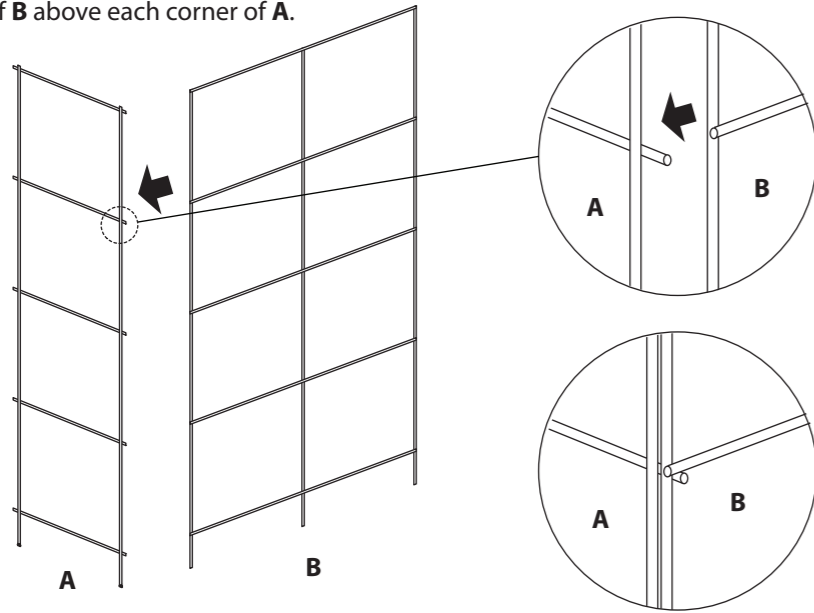
Millimeter  
Mounting Instructions



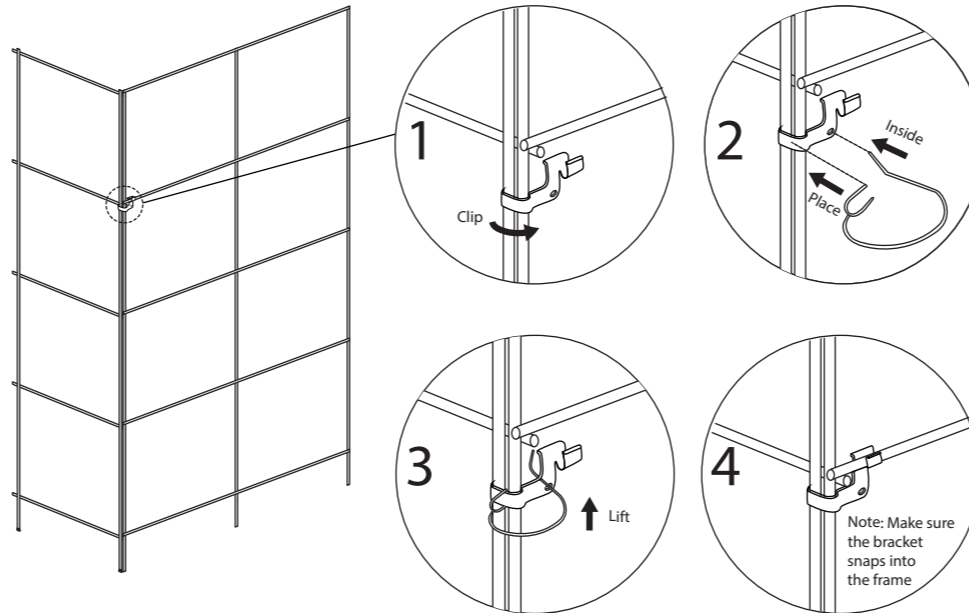
1 Mount 4 H on the bottom of A.  
(In case of free standing installation,  
mount 4 I before Mounting 4 H on  
the bottom of A.)  
Note picture ⑥



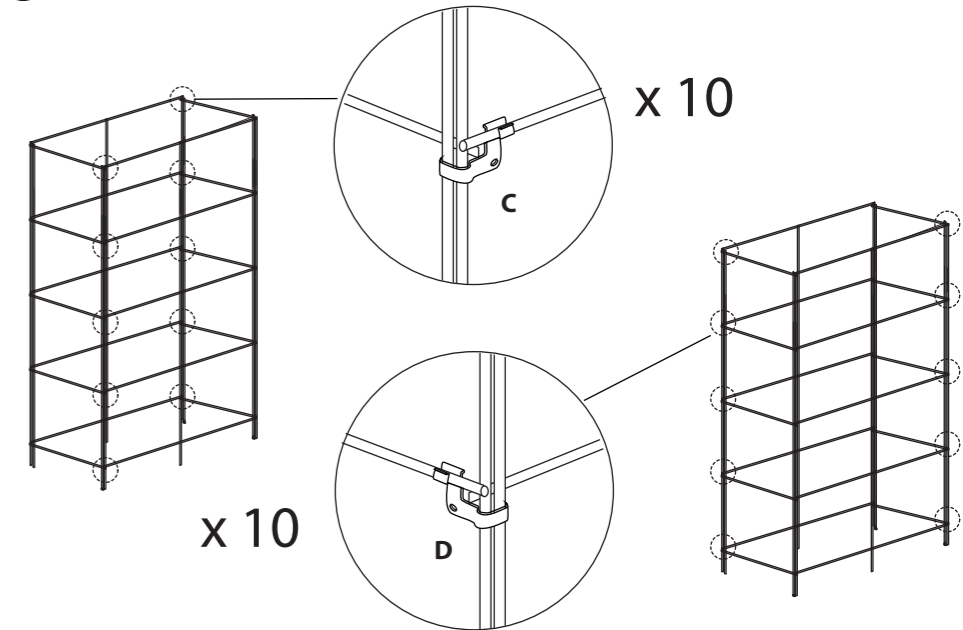
2 To mount the shelf, put each corner  
of B above each corner of A.



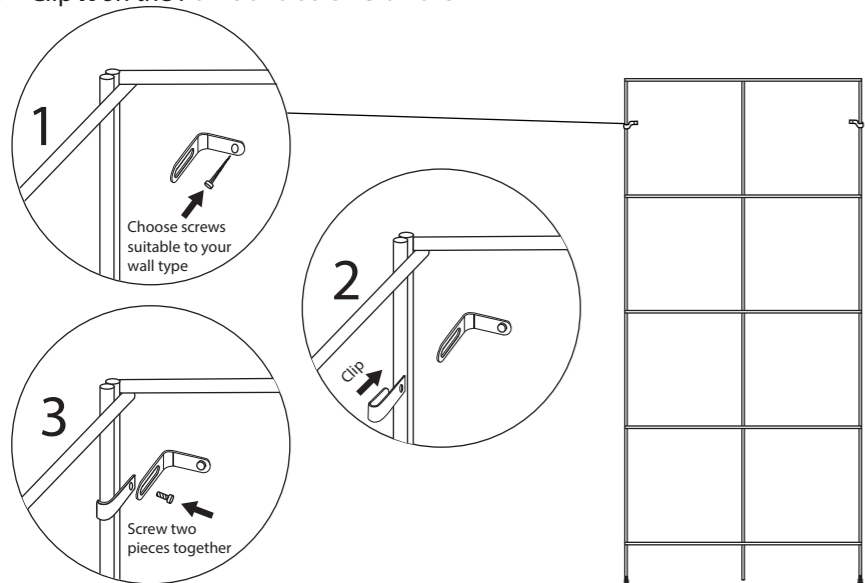
3 To connect A and B, use C and D in every corner. Insert F in the hole of C / D.



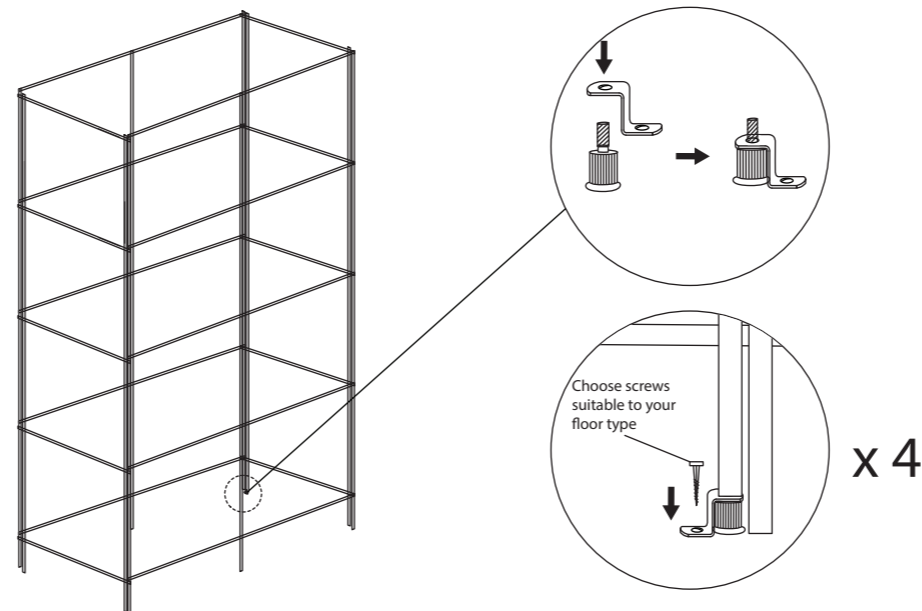
4 Choose C and D according to the drawing below.



5 To attach shelf into the wall, use J and K.  
Clip K on the frame and screw J on the wall. Use G to connect J and K.



6 In case of free standing placement, use I to mount it on the floor.  
Note: Ensure the floor is suitable for installation.



7 Insert 5 E into the shelf in 45°.

