



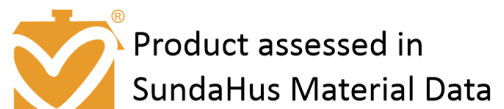
Svedholm

SLITS SANITARY BIN

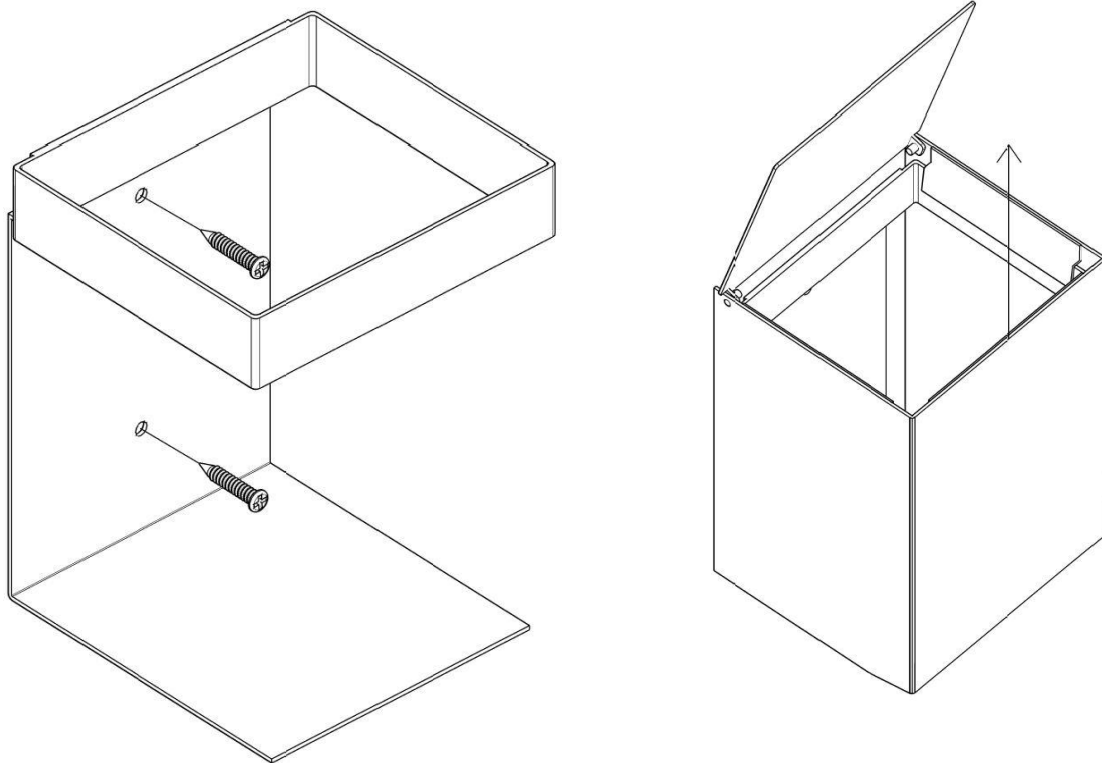
Art nr. 410.600.041

MOUNTING & MAINTENANCE INSTRUCTIONS

COVERED BY OUR RETURN DEPOSIT SCHEME



MOUNTING INSTRUCTIONS



Choose screws suitable to your wall type.

MAINTENANCE INSTRUCTIONS

Manufacturer

Svedholm Design AB
TEL +46(0) 10 190 20 80

INFO@SVEDHOLM.SE

WWW.SVEDHOLM.SE

Material

Sanitary bin made of powder coated steel.

Maintenance

Powder coated steel: should be cleaned with a cloth, moistened with water or mild detergent. Corrosive detergents may not be used. Detergents and moist remains shall be removed.

Accessories

Adapted for sanitary bin liners 370 x 380 mm 10 liters.

Responsibility

Svedholm Design AB is not responsible for damage caused by improper assembly or installation, lack of maintenance, malfunction, neglect/abnormal use or anything else that may be attributed to the user.